



Bookcase

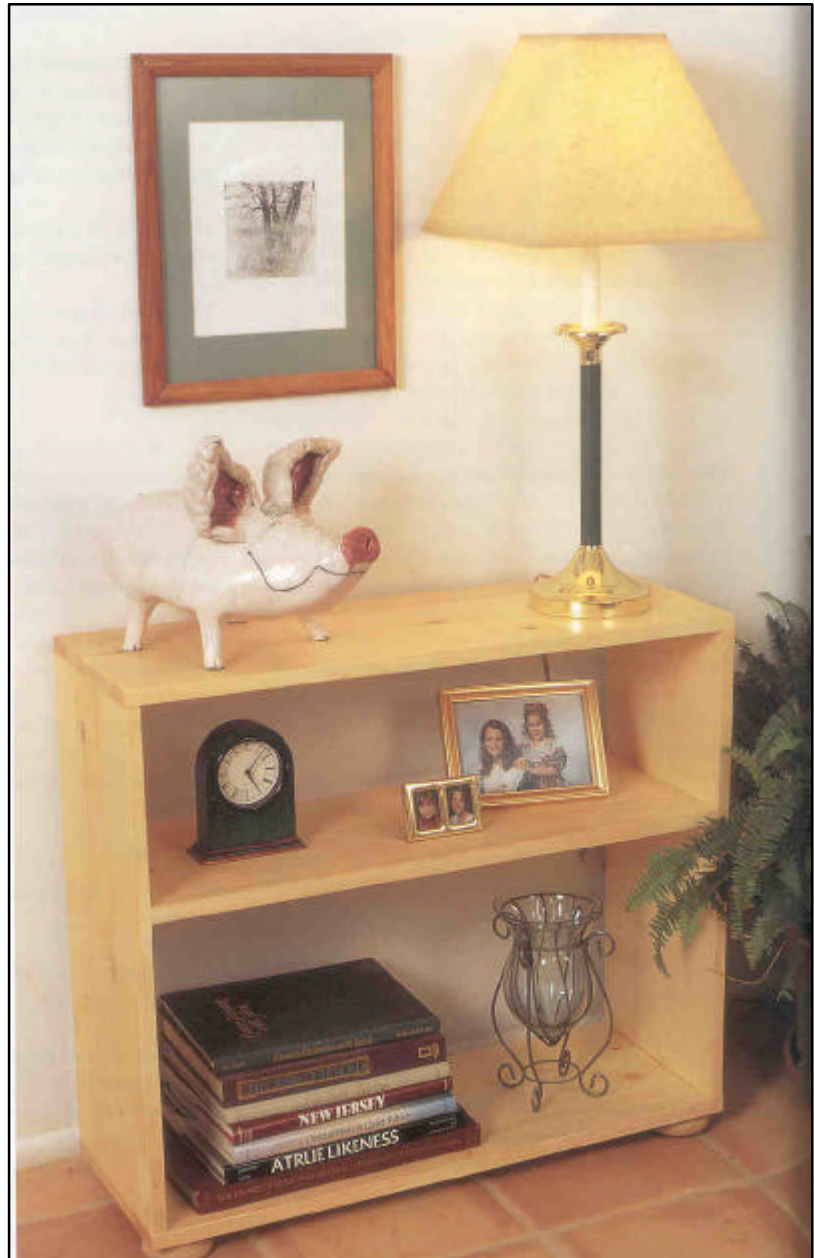
Everyone can use just one more bookcase. This one is just the right height to place next to a bed, in a bathroom, or (as we did) on a lonely wall in the dining room. It is only a foot deep, so it will hold lots of items without interfering in high-traffic areas.

Materials List

- 12 linear feet of 1 x 12 pine
- 4 wooden circles, approximately 3-1/2" in diameter
- Cutting List

Hardware

- 32 1-1/2" screws



Cutting List

Code	Description	Qty.	Materials	Dimensions
A	Top/Bottom	2	1 x 12 pine	30" long
B	Sides	2	1 x 12 pine	24" long
C	Shelf	1	1 x 12 pine	28-1/2" long
D	Feet	4	Wooden circles	3-1/2" in diameter

Assembling the Bookcase

1. Cut two top/bottoms (A) from 1 x 12 pine, each measuring 30 inches long.

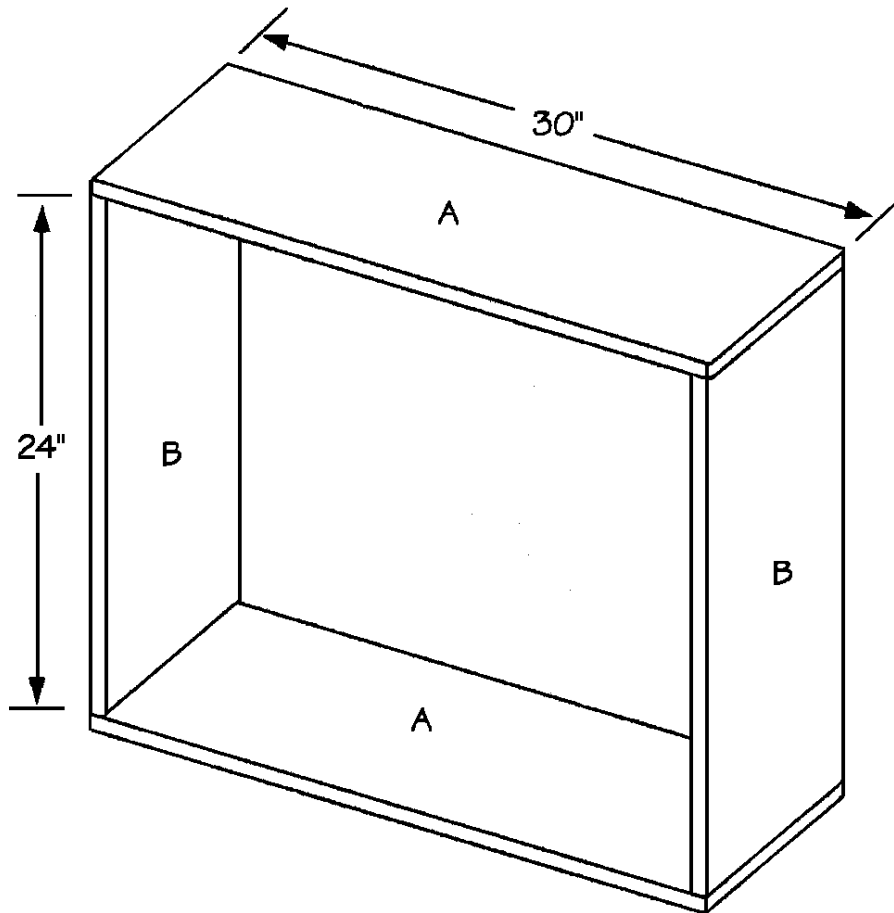


Figure 1

2. Cut two sides (B) from 1 x 2 pine, each measuring 24 inches long.
3. Place the two top/bottoms (A) parallel to each other and 24 inches apart. Fit the two sides (B) between the top/bottoms (A), as shown in *Figure 1*. Screw through the top/bottoms (A) into the ends of the sides (B). Use four 1-1/2-inch screws on each of the four joints.

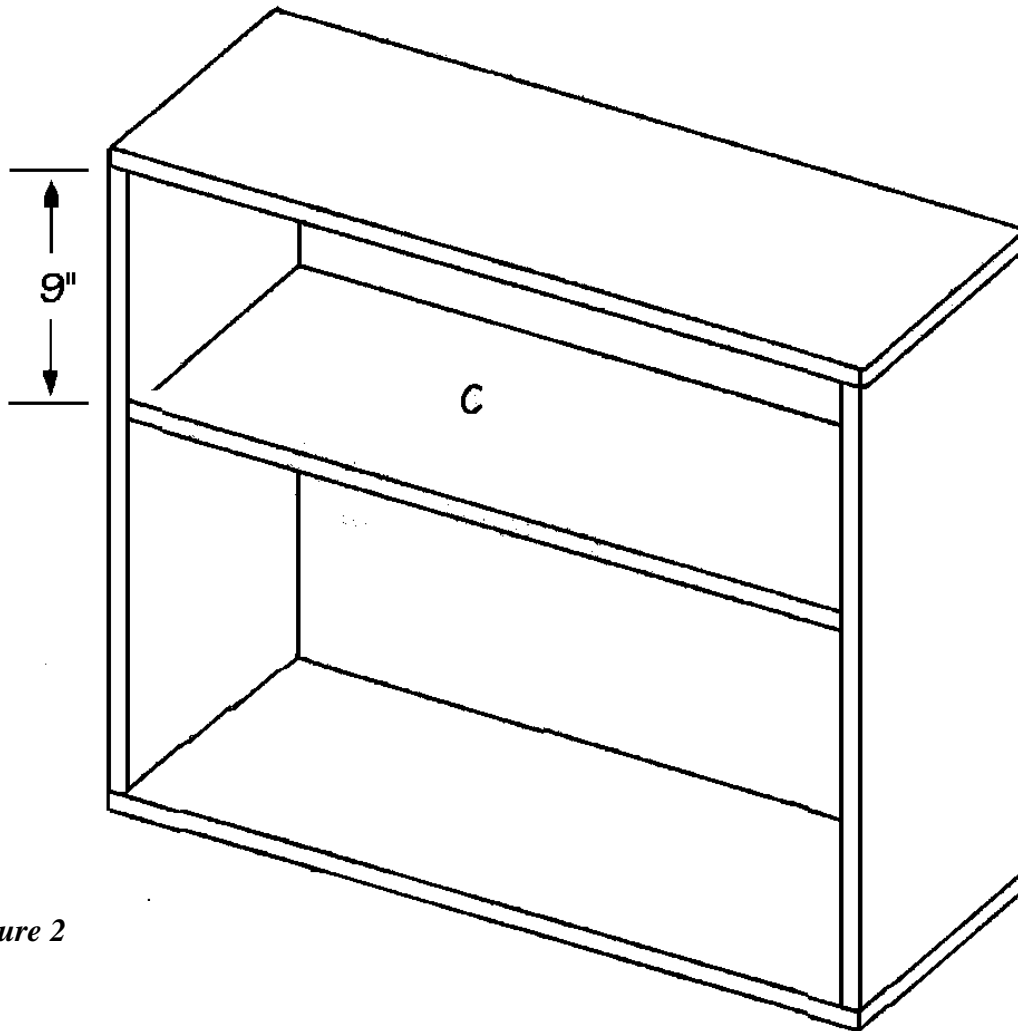


Figure 2

4. Cut one shelf (C) from 1 x 12 pine, measuring 28-1/2 inches long.
5. Fit the shelf (C) into the assembly, as shown in Figure 2. Pick the best-looking top/bottom surface and designate it as the “top” of the assembly. We placed our shelf 9 inches from the “top,” but that measurement can be altered as you wish. Screw through the sides (B) into the

ends of the shelf (C). Use four 1-1/2-inch screws on each of the two joints.

6. Screw the four feet (D) onto the bottom, even with the outside edges of the completed bookcase using 1-1/2" screws.

Finishing

1. Fill the screw holes, crevices, and cracks with wood filler.
2. Sand all surfaces of the completed bookcase.
3. Stain or paint the bookcase the color of your choice. We chose to retain the natural color of the pine and simply seal it with a glossy polyurethane.